

Name \_\_\_\_\_

Date \_\_\_\_\_

## Instruments That Measure Weather

Cut apart each card. Match the description on each card to one of the illustrations of an instrument that measures weather. Glue the matching cards together until you have a full deck of nine cards.

### *Instrument 1*

- Measures heat content of air
- Measures in Celsius or Fahrenheit
- Measurement usually taken 5 feet above ground in a shelter
- Liquid expands or contracts causing it to move up and down a tube

### *Instrument 2*

- Measures air pressure
- Weighs the amount of air in a specific place
- Usually measures between 28-31 inches of mercury
- A falling measurement usually means a storm is approaching

### *Instrument 3*

- Measures wind speed
- Measures how hard the wind is blowing
- Measured 33 feet above ground level on buildings or airports
- Several cups catch the wind and spin around a pole
- Measured by the number times it spins over a set period of time

### *Instrument 4*

- Measures rain or snow over a set period of time
- Measurement reported in inches
- Collecting during high winds can give incorrect readings
- Many different kinds

### *Instrument 5*

- Measures humidity
- Made of two thermometers one with a wet cloth on the end
- If the difference in the thermometers is very large, there is little humidity

### *Instrument 6*

- Shows the direction the wind is blowing
- Does not work well with light winds



Name \_\_\_\_\_

Date \_\_\_\_\_

## Instruments That Measure Weather, continued

### *Instrument 7*

- Used to take pictures of big weather events
- May have a camera to tell how warm the storm is

### *Instrument 8*

- Measure is made up by the person watching the weather
- Describes what the weather looks like
- Provides added information

### *Instrument 9*

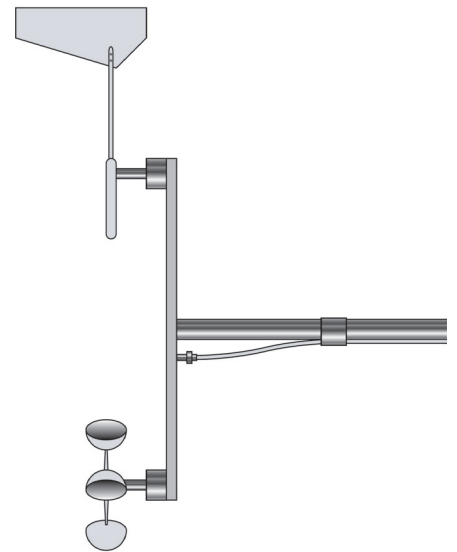
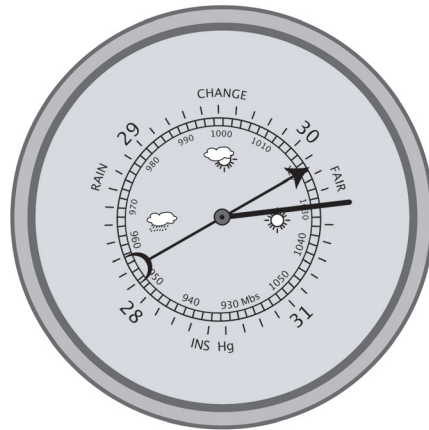
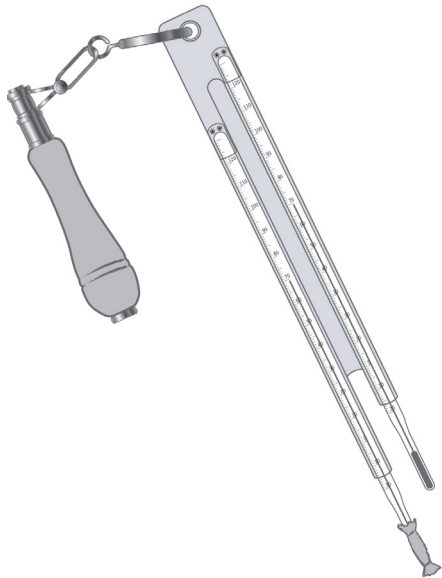
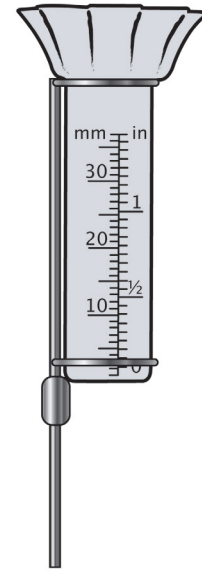
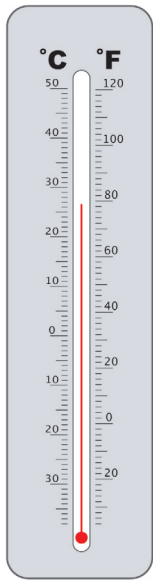
- The measure of how far you can see
- Measurement can sometimes be zero
- Measurements usually reported in miles



Name \_\_\_\_\_

Date \_\_\_\_\_

## Instruments That Measure Weather, continued



© 2010 National Geographic Society

Name \_\_\_\_\_

Date \_\_\_\_\_

## Instruments That Measure Weather, continued

